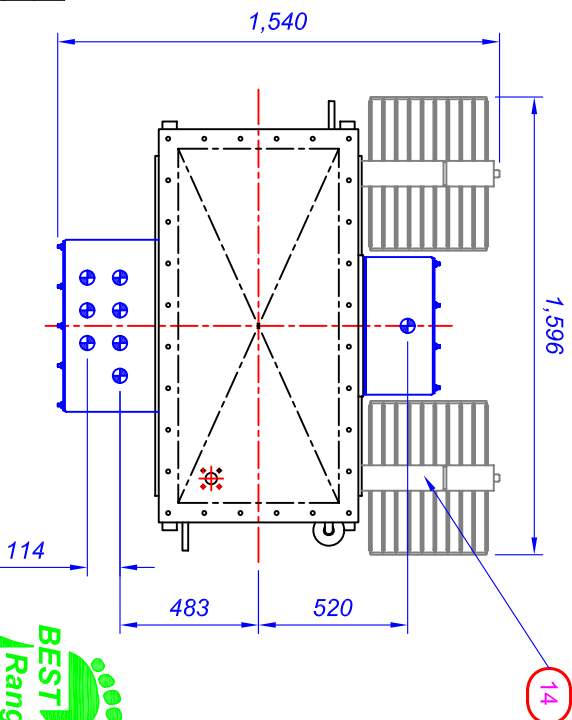


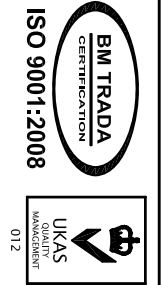
ITEM	DESCRIPTION
1	HV CABLE BOX 3 POLE 1 GLAND (TERMINATION KIT REQ'D)
2	LV CABLE BOX 4 POLE 7 GLAND AIR FILLED
3	TRANSFORMER LIQUID FILLER COVER PLATE
4	LIQUID LEVEL GAUGE
5	THERMOMETER POCKET
6	JACKING CHANNELS
7	EARTHING TERMINALS ONE EACH SIDE
8	SKID UNDERBASE CW HAULAGE HOLES
9	MAIN LIFTERS
10	BREATHER PIPE CW SILICA GEL BREATHER (SUPPLIED LOOSE)
11	TAPPING SELECTOR CONTROL HANDLE
12	RATING AND DIAGRAM PLATE
13	DRAIN VALVE 1" B.S.P
14	RADIATORS

BOWERS JOB No.	TR61486-89
BOWERS STOCK No.	800 KVA
VOLTAGE RATIO	11000 / 433
AMPERES	41.99 / 1067
PHASES	3
FREQUENCY	50HZ
VECTOR SYMBOL	Dyn11
ESTIMATED WEIGHTS	
CORE AND WINDINGS	1684
COOLING LIQUID 642 LTRS MIDEL	629
TOTAL WEIGHT	3325



This drawing is COPYRIGHT and the property of Bowers Electricals Ltd. It must not be copied, in whole or in part, without prior written consent of the company.

TOLERANCE UNLESS OTHERWISE STATED:  
 ± 0.1mm FOR DIMENSIONS UP TO 250mm  
 ± 0.2mm FOR DIMENSIONS OVER 250mm  
 ± 0.3mm FOR DIMENSIONS OVER 1000mm.



Rev	Revision note	Date	Signed	Checked

**Bowers Electricals Ltd**  
 Heanor Gate Road,  
 Heanor, Derbyshire, DE75 7GX  
 Tel: 01773 531531 Fax: 01773 716171  
 E-mail: enquiries@bowerselec.co.uk

Drawn by A.WILCOXSON  
 Checked by C.MEENSE  
 GENERAL ARRANGEMENT OF  
 800KVA SUPER LOW LOSS  
 KNAN TRANSFORMER

Approved by D.MESBITT	Orig. Job No. TR61486-89	Date 22/03/11	Drq. Size A3
DRG No. BE5290		Scale 1:20	Revision 0
FIRST ANGLE			Sheet 1/1